

SLIMLINE BUTTON TOP BARSTOOL WITH CLEAR COAT SWIVEL FRAME:
SL1117-CCS

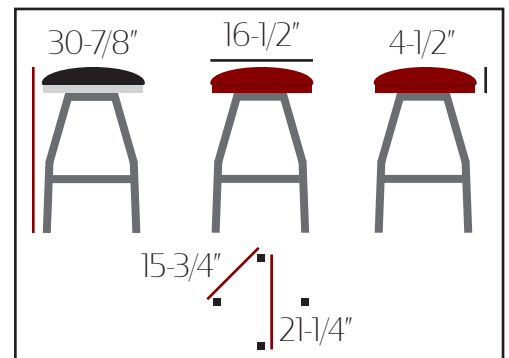


Black SL1117-CCS-BLK *Wine* SL1117-CCS-WINE *Red* SL1117-CCS-RED *Espresso* SL1117-CCS-ESP *Chestnut* SL1117-CCS-CST *Gray* SL1117-CCS-GRAY *Hunter Green* SL1117-CCS-HG *Navy* SL1117-CCS-NAVY



Blue Ridge SL1117-CCS-BR *Gunmetal* SL1117-CCS-GM *Charcoal* SL1117-CCS-CC *Taupe* SL1117-CCS-TPE *Sierra Brown* SL1117-CCS-SB *Elk Black* SL1117-CCS-EB *Oxen Brown* SL1117-CCS-OB

- Premium clear coat frame with matching rung
- Chrome accent ring on seat bottom: 1-1/2" H x 15-1/2" Diameter
- Heavy-duty flat swivel attached to frame
- Non-marring poly glides
- Quality fabric backed commercial grade vinyl
- Button top seat ships unattached - simple seat attachment is required
- Barstool weight: 20 lbs.
- Subject to manufacturer lead times



You may also like Oak Street Manufacturing's other Button Top Barstool Options:



Slimline Button Top with Black Swivel Frame
SL0117

Slimline Button Top with Clear Coat Swivel Frame
SL0117-CCS

Slimline Button Top with Black Swivel Frame
SL1117

Slimline Button Top with Double Rung Chrome Frame
SL1131

Slimline Button Top with Standard Height Pedestal
SL6117

Slimline Button Top with Counter Height Pedestal
SL7117