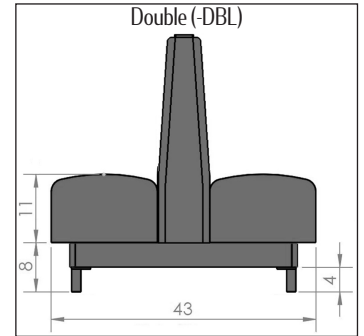
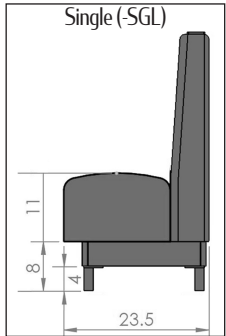


255 Welter Drive
Monticello, IA 52310



P: 877.465.4344
F: 877.465.4042
www.oakstreetmfg.com

JOHNSTON (JTN) VINYL/UPHOLSTERED BOOTHS



- Welted vinyl top/side cap construction with updated pillow back & extra thick 11" seat.
- Standard heights are 42" & 36"; Standard lengths are: 24", 30", 44", 48", 60", 72", 84" & 96".
- Available in Singles, Doubles, Banquettes (over 96"), L-Shape, U-Shape & Corner.
- Available in 15 in-house vinyls or any Tier 1-4 Douglass or Stinson vinyl, fabric or upholstery.
- Consistent seat back framing from single to double booths - without a concave wood back & thin layer of foam. Our backs are straight with extra thick foam contoured to the specific shape needed for extra cushion.
- 4" H black metal legs (1.5" W/D) with metalpoly glides.

- Finished ends & backs (singles) standard on booths up to & including 72" lengths.
- Available in our freight saver design or fully assembled.
- Available with standard vinyl toekick or steel toekick. Steel toekicks are more durable (18 gauge) & easy to maintain.

No springs to break, sag or squeak. Our seats have fully sculpted, springless foam.	Seats are reversible & removable - prolonging the life of seat & making it easier to clean.	Both booth ends are finished for endless room reconfiguration possibilities.	Independent seat backs are bolted, not glued or stapled to base - adding strength & durability.	Slip sheets over seat foam allow vinyl or upholstery to recover after use - reducing wear.	Our frame is more durable than competitors. 48+ screws are used in assembly.	Superior one-step black vinyl toekick glued with for EVA glue process & edged with poly protective corners.	Metal edge brackets are used in base corners - adding strength & durability.