

255 Welter Drive
Monticello, IA 52310



P: 877.465.4344
F: 877.465.4042
www.oakstreetmfg.com

DURANGO (DRN) WOOD FRAME BOOTHS

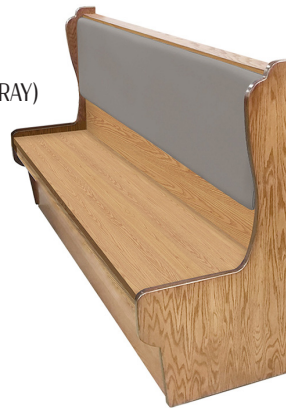


Wood Seat & Back
(-WSWB)



Vinyl/Upholstered Seat - Wood Back
(-VSWB)

Gray (-GRAY)



Wood Seat - Vinyl Back
(-WSUB)



Vinyl/Upholstered Seat & Back
(-VSUB)



Elk Black (-EB)



Black (-BLK)



Charcoal (-CC)



Gunmetal (-GM)



Espresso (-ESP)



Sierra Brown (-SB)



Chestnut (-CST)



Oxen Brown (-OB)



Taupe (-TPE)



Blue Ridge (-BR)



Navy (-NAVY)



Wine (-WINE)



Red (-RED)



Hunter Green (-HG)



Tier 1 (-T1) [specify]



Tier 2 (-T2) [specify]



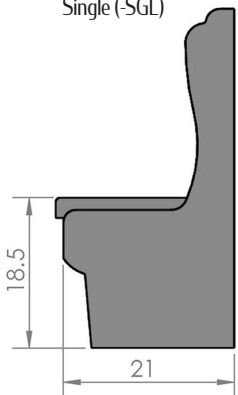
Tier 3 (-T3) [specify]



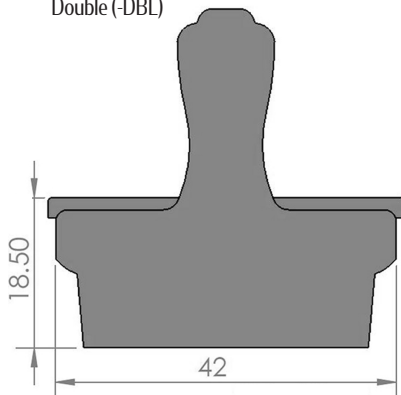
Tier 4 (-T4) [specify]

Tiered vinyl options: <https://bit.ly/os-stinson> or <https://bit.ly/os-douglass>

Single (-SGL)



Double (-DBL)



Durango Booths available in the following options:

- Single Booth - Wood Seat & Back (**DRN-SGL-WSWB**)
- Single Booth - Vinyl or Upholstered Seat / Wood Back (**DRN-SGL-VSWB**)
- Single Booth - Wood Seat / Vinyl or Upholstered Back (**DRN-SGL-WSUB**)
- Single Booth - Vinyl or Upholstered Seat & Back (**DRN-SGL-VSUB**)
- Double Booth - Wood Seat & Back (**DRN-DBL-WSWB**)
- Double Booth - Vinyl or Upholstered Seat / Wood Back (**DRN-DBL-VSWB**)
- Double Booth - Wood Seat / Vinyl or Upholstered Back (**DRN-DBL-WSUB**)
- Double Booth - Vinyl or Upholstered Seat & Back (**DRN-DBL-VSUB**)

- Heavy duty engineered wood end panels in oak stainable in choice of standard in-house stain options [specify].
- Both booth ends finished for endless room reconfiguration possibilities.
- 24", 30", 44", 48", 60", 72", 84" & 96" standard lengths.
- 42" standard height.
- Available in singles, doubles, banquettes (96" +), I-shape & u-shape.
- Standard unfinished outside back panel (singles) - optional oak veneer finished back available for an upcharge.
- Reversible & removable 1.75" thick x 18" deep fully sculpted, springless cushion(s) on -WSUB, -VSUB, -VSWB models.

Proudly made in the USA

