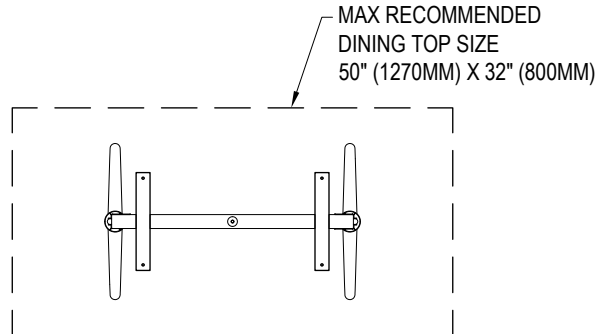
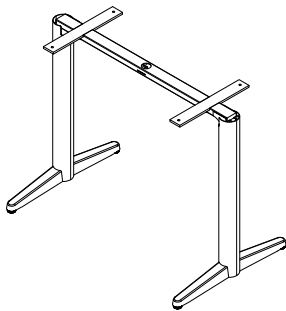


SELECT DESIRED FINISH:

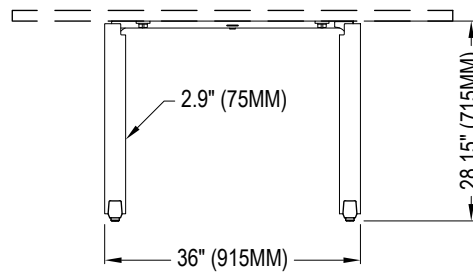
SANDSTONE BLACK (BK)



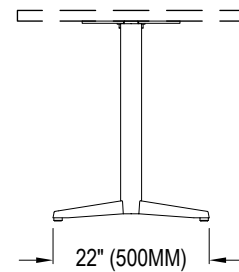
DINING PLAN



PERSPECTIVE (NTS)



DINING ELEVATION
FRONT



DINING ELEVATION
SIDE

SPECIFICATIONS:

GROSS WEIGHT (GW): 36.3LBS (16.5KG)

NET WEIGHT (NW): 29.9LBS (13.6KG)

CARTON DIMENSIONS: 29.5" X 37.7" X 3.9" (750MM X 960MM X 100MM)

- PRODUCT CODE EXAMPLE: B522NR-STD (SANDSTONE BLACK WITH DINING HEIGHT)

NOTES:

1. INSTALLATION TO BE COMPLETED IN ACCORDANCE WITH MANUFACTURER'S SPECIFICATIONS.
2. DO NOT SCALE DRAWING.
3. THIS DRAWING IS INTENDED FOR USE BY ARCHITECTS, ENGINEERS, CONTRACTORS, CONSULTANTS AND DESIGN PROFESSIONALS FOR PLANNING PURPOSES ONLY. THIS DRAWING MAY NOT BE USED FOR CONSTRUCTION.
4. ALL INFORMATION CONTAINED HEREIN WAS CURRENT AT THE TIME OF DEVELOPMENT BUT MUST BE REVIEWED AND APPROVED BY THE PRODUCT MANUFACTURER TO BE CONSIDERED ACCURATE.
5. CONTRACTOR'S NOTE: FOR PRODUCT AND COMPANY INFORMATION VISIT www.CADdetails.com/info AND ENTER REFERENCE NUMBER 5412-008.

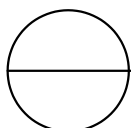


TABLE BASE

TRAIL T-BASE: POWDER COATED STEEL (B522NR-STD)

