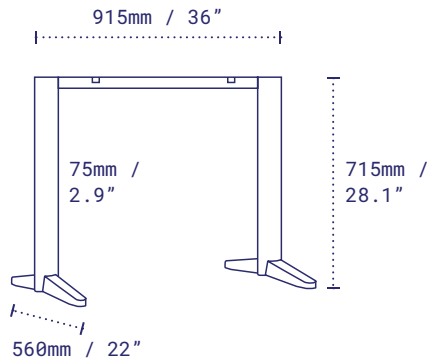


B522NR-STD : DINING HEIGHT



The Trail twin table base offers the NOROCK patented self-stabilising function for your larger, rectangular tabletops. Perfectly matches with all Trail bases and complementing other NOROCK designs. The Trail T-Base is compliant with the Americans with Disabilities Act Standards for Accessible Design (ADA).

Pictured: Trail T-Base Dining Height, Sandstone Black.

DETAILS

Material	Steel – Zinc Plated Legs and Columns, Zinc Phosphate Frame, Zinc Phosphate Top Plates
Next-Level Protection also available	Steel – Zinc Plated Legs and Columns, Zinc Phosphate Frame, Zinc Phosphate Top Plates
Height excl. table top	715mm / 28.1"
Base diameter	915 x 560mm / 36 x 22"
Column width	75mm / 2.9"
Top plate	Fixed
Net weight	17.6kg / 38.8lbs
Max recommended table top	812 x 1676mm / 32 x 66"
Resources	

PACKAGING

Carton	930 x 730 x 110mm / 36.6 x 28.7 x 4.3" x Box 1
Gross weight	19.5kg / 42.9lbs

STANDARD COLOR RANGE

Sandstone Black

