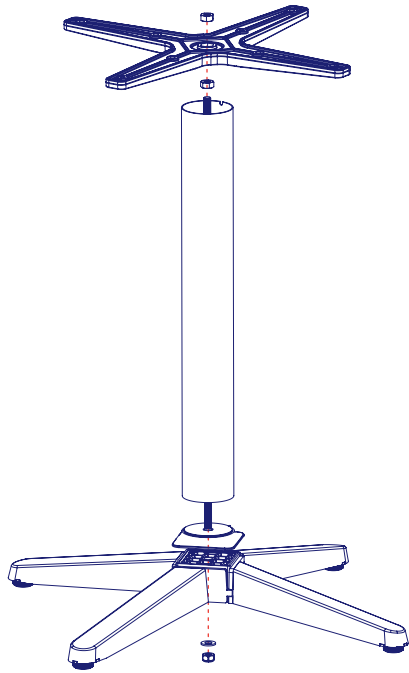







# Trail



## HARDWARE INCLUDED

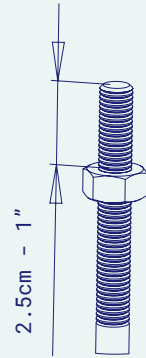
-  2 x M10 Nut
-  1 x M10 Washer
-  1 x M10 Nyloc

## HAND TOOLS REQUIRED TO ASSEMBLE\*

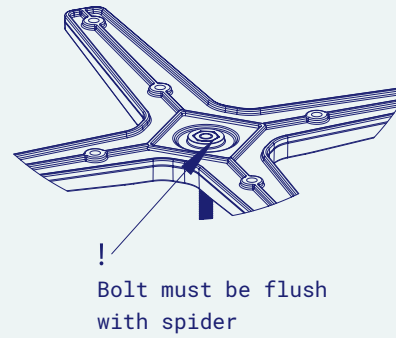
-  17mm Spanner
-  17mm Socket wrench

\*Not supplied.

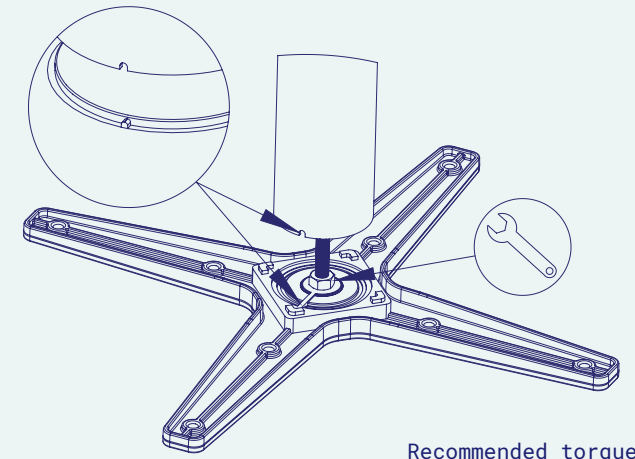
1.



2.

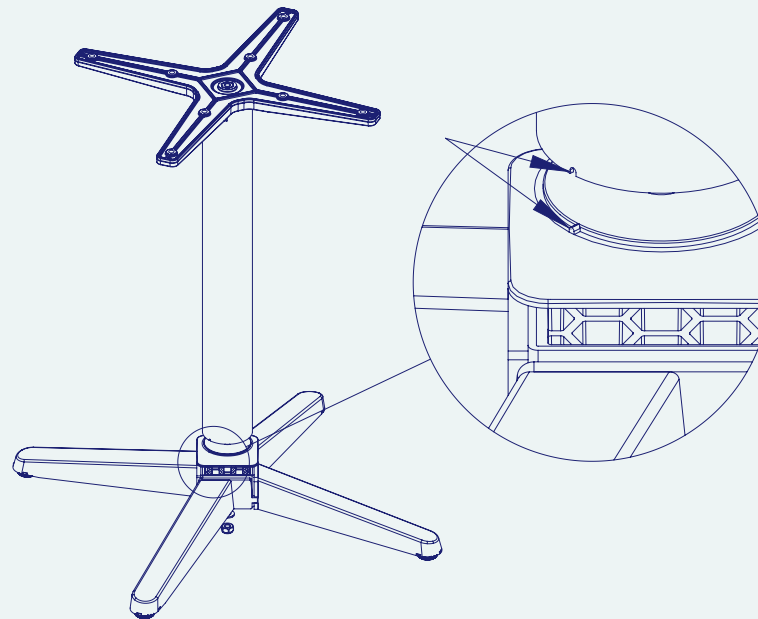


3.

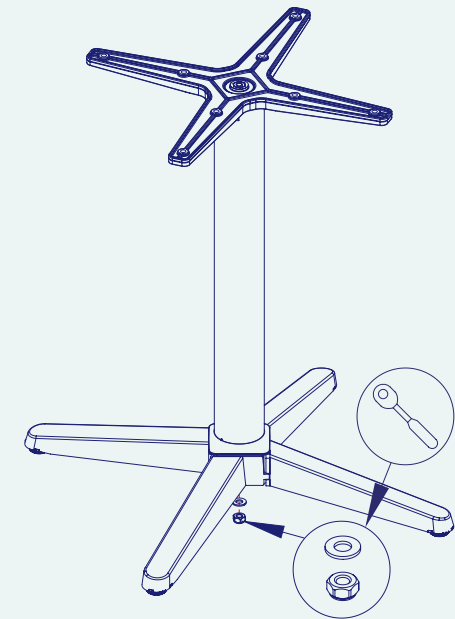


Recommended torque  
20 Nm / 15 ft-lb

4.



5.



Nyloc recommended torque  
20 Nm / 15 ft-lb



WATCH ASSEMBLY DEMO

All product information is correct at the time of printing but may be subject to change without notice. For the latest information please visit our website.

