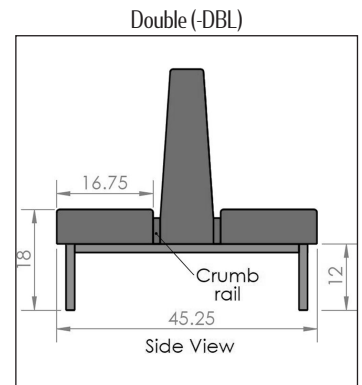
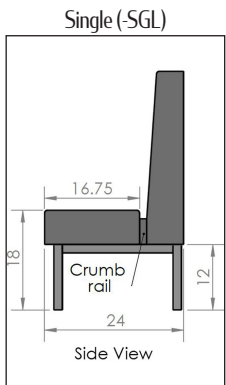


PACIFIC (PAC) OUTDOOR VINYL/UPHOLSTERED BOOTHS



- Top stitched seams with updated pillow back.
- Standard heights are 42" & 36"; Standard lengths are: 24", 30", 44", 48", 60", 72", 84" & 96".
- 1.5" square 16 gauge unitized steel frame with exterior powder coating provides superior strength & modern appearance.
- 2" non-marring metalpoly glides.
- Available in Singles, Doubles, Banquettes (over 96"), L-Shape, U-Shape & Corner.
- Marine-grade vinyl with exterior-grade plywood core & closed-cell foam.
- Tier 1 includes Futura Caprina Island & Palm Island marine vinyls [specify].
- Tier 2 includes Spradling Seabreeze, Beluga & Zander marine vinyls [specify].
- Tier 3 & 4 includes Sunbrella marine vinyls - contact your Oak Street account manager for eligible collections [specify].

- Consistent seat back framing from single to double booths - without a concave wood back & thin layer of foam. Our backs are straight with extra thick foam contoured to the specific shape needed for extra cushion.
- Independent base disperses stress on seat back.
- NOT suitable for oceanside or poolside applications.



No springs to break, sag or squeak. Our seats have fully sculpted, springless foam.



Seats are reversible & removable - prolonging the life of seat & making it easier to clean.



Both booth ends are finished for endless room reconfiguration possibilities.



Independent seat backs are bolted, not glued or stapled to base - adding strength & durability.



Slip sheets over seat allow vinyl or upholstery to recover after use - reducing wear.



Our frame is more durable than competitors. 48+ screws are used in assembly.