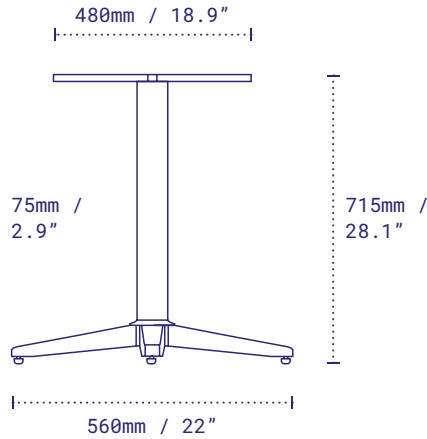


# Trail 22

B22NR-STD : DINING HEIGHT





Trail 22 self-stabilising table base exemplifies modern simplicity. The linear, clean design and concealed componentry complements a robust construction for use in any setting.

Pictured: Trail 22 Dining Height, Sandstone Black.

## DETAILS

 <b>Material</b>	Steel – Zinc Plated Legs, Zinc Phosphate Column and Top Plate
 <b>Next-Level Protection</b> also available	Steel – Zinc Plated Legs, Zinc Plated Column, Alodine Top Plate
 <b>Height</b> excl. table top	715mm / 28.1"
 <b>Base diameter</b>	560mm / 22"
 <b>Column width</b>	75mm / 2.9"
 <b>Top plate</b>	Fixed
 <b>Net weight</b>	5.7kg / 12.5lbs
 <b>Max recommended table top</b>	<input type="radio"/> 860mm / 34" <input type="checkbox"/> 760mm / 30"
 <b>Resources</b>	<a href="https://no-rock.com/product/trail">no-rock.com/product/trail</a>

## PACKAGING

 <b>Carton</b>	600 x 500 x 100mm / 23.6 x 19.6 x 3.9" x Box 1
 <b>Gross weight</b>	6.9kg / 15.2lbs

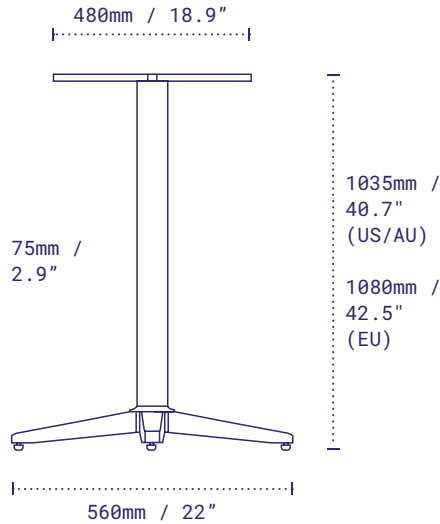
## STANDARD COLOR RANGE

 Sandstone Black



# Trail 22 Bar



B22NR-BAR : BAR HEIGHT





Trail 22 self-stabilising table base exemplifies modern simplicity. The linear, clean design and concealed componentry complements a robust construction for use in any setting.

Pictured: Trail 22 Bar Height, Sandstone Black.

## DETAILS

 <b>Material</b>	Steel – Zinc Plated Legs, Zinc Phosphate Column and Top Plate
 <b>Next-Level Protection</b> also available	Steel – Zinc Plated Legs, Zinc Plated Column, Alodine Top Plate
 <b>Height</b>	1035mm / 40.7" Bar excl. table top 1080mm / 42.5" Bar (EU only)
 <b>Base diameter</b>	560mm / 22"
 <b>Column width</b>	75mm / 2.9"
 <b>Top plate</b>	Fixed
 <b>Net weight</b>	6.7kg / 14.7lbs
 <b>Max recommended table top</b>	<input type="radio"/> 760mm / 30" <input type="checkbox"/> 600mm / 24"
 <b>Resources</b>	<a href="https://no-rock.com/product/trail">no-rock.com/product/trail</a>

## PACKAGING

 <b>Carton</b>	470 x 680 x 100mm / 18.5 x 26.7 x 3.9" x Box 1 83 x 84 x 1050mm / 3.2 x 3.3 x 41.3" x Box 2
 <b>Gross weight</b>	7.9kg / 17.4lbs

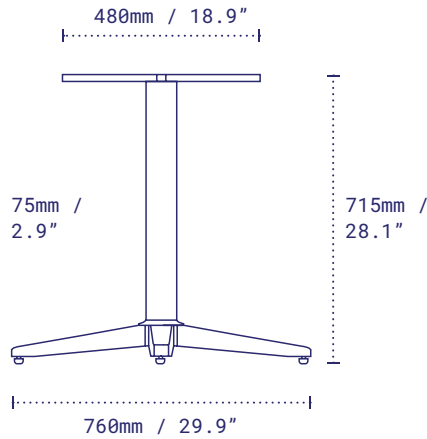
## STANDARD COLOR RANGE

 Sandstone Black



# Trail 30

B30NR-STD : DINING HEIGHT





Trail 30 self-stabilising table base exemplifies modern simplicity. The linear, clean design and concealed componentry complements a robust construction for use in any setting.

Pictured: Trail 30 Dining Height, Sandstone Black.

## DETAILS

 <b>Material</b>	Steel – Zinc Plated Legs, Zinc Phosphate Column
 <b>Next-Level Protection</b>	Steel – Zinc Plated Legs, Zinc Plated Column, Zinc Phosphate Top Plate
 <b>Height</b>	715mm / 28.1"
 <b>excl. table top</b>	
 <b>Base diameter</b>	762mm / 30"
 <b>Column width</b>	75mm / 2.9"
 <b>Top plate</b>	Fixed
 <b>Net weight</b>	9.3kg / 20.5lbs
 <b>Max recommended table top</b>	<input type="radio"/> 1219mm / 48" <input type="checkbox"/> 1066mm / 42"
 <b>Resources</b>	<a href="https://no-rock.com/product/trail">no-rock.com/product/trail</a>

## PACKAGING

 <b>Carton</b>	670 x 600 x 100mm / 25.4 x 23.6 x 3.9" x Box 1
 <b>Gross weight</b>	10.8kg / 23.8lbs

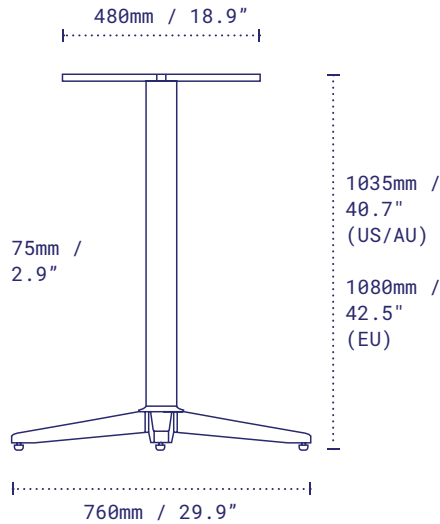
## STANDARD COLOR RANGE

 Sandstone Black



# Trail 30 Bar

B30NR-BAR : BAR HEIGHT





Trail 30 self-stabilising table base exemplifies modern simplicity. The linear, clean design and concealed componentry complements a robust construction for use in any setting.

Pictured: Trail 30 Bar Height, Sandstone Black.

## DETAILS

 <b>Material</b>	Steel – Zinc Plated Legs, Zinc Phosphate Column
 <b>Next-Level Protection</b>	Steel – Zinc Plated Legs, Zinc Plated Column, Zinc Phosphate Top Plate
 <b>Height</b>	1035mm / 40.7" Bar excl. table top 1080mm / 42.5" Bar (EU only)
 <b>Base diameter</b>	762mm / 30"
 <b>Column width</b>	75mm / 2.9"
 <b>Top plate</b>	Fixed
 <b>Net weight</b>	10.5kg / 23.1lbs
 <b>Max recommended table top</b>	○ 1066mm / 42" □ 914mm / 36"
 <b>Resources</b>	<a href="https://no-rock.com/product/trail">no-rock.com/product/trail</a>

## PACKAGING

 <b>Carton</b>	670 x 600 x 100mm / 25.4 x 23.6 x 3.9" x Box 1 83 x 84 x 1050mm / 3.2 x 3.3 x 41.3" x Box 2
 <b>Gross weight</b>	12.0kg / 26.5lbs

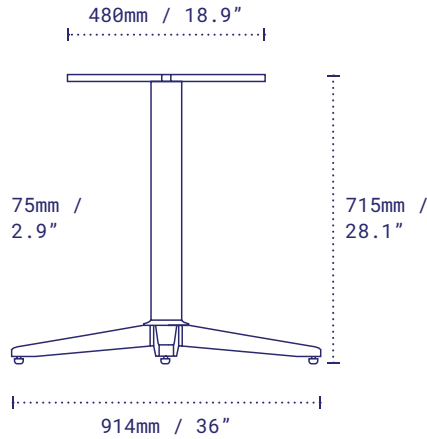
## STANDARD COLOR RANGE

● Sandstone Black



# Trail 36

B36NR-STD : DINING HEIGHT





Trail 36 self-stabilising table base exemplifies modern simplicity. The linear, clean design and concealed componentry complements a robust construction for use in any setting.

Pictured: Trail 36 Dining Height, Sandstone Black.

## DETAILS

 <b>Material</b>	Steel – Zinc Plated Legs, Zinc Phosphate Column
 <b>Next-Level Protection</b>	Steel – Zinc Plated Legs, Zinc Plated Column, Zinc Phosphate Top Plate
 <b>Height</b>	715mm / 28.1"
 <b>excl. table top</b>	
 <b>Base diameter</b>	915mm / 36"
 <b>Column width</b>	75mm / 2.9"
 <b>Top plate</b>	Fixed
 <b>Net weight</b>	11.1kg / 24.4lbs
 <b>Max recommended table top</b>	○ 1371mm / 54" □ 1219mm / 48"
 <b>Resources</b>	<a href="https://no-rock.com/product/trail">no-rock.com/product/trail</a>

## PACKAGING

 <b>Carton</b>	770 x 680 x 100mm / 30.3 x 26.7 x 3.9" x Box 1
 <b>Gross weight</b>	12.6kg / 27.7lbs

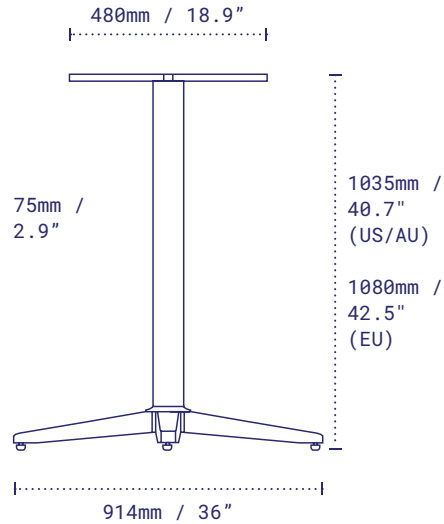
## STANDARD COLOR RANGE

● Sandstone Black



# Trail 36 Bar

B36NR-BAR : BAR HEIGHT





Trail 36 self-stabilising table base exemplifies modern simplicity. The linear, clean design and concealed componentry complements a robust construction for use in any setting.

Pictured: Trail 36 Bar Height, Sandstone Black.

## DETAILS

 <b>Material</b>	Steel – Zinc Plated Legs, Zinc Phosphate Column
 <b>Next-Level Protection</b>	Steel – Zinc Plated Legs, Zinc Plated Column, Zinc Phosphate Top Plate
 <b>Height</b>	1035mm / 40.7" Bar excl. table top 1080mm / 42.5" Bar (EU only)
 <b>Base diameter</b>	915mm / 36"
 <b>Column width</b>	75mm / 2.9"
 <b>Top plate</b>	Fixed
 <b>Net weight</b>	12.2kg / 26.8lbs
 <b>Max recommended table top</b>	○ 1066mm / 42" □ 965mm / 38"
 <b>Resources</b>	<a href="https://no-rock.com/product/trail">no-rock.com/product/trail</a>

## PACKAGING

 <b>Carton</b>	680 x 680 x 100mm / 26.7 x 26.7 x 3.9" x Box 1 83 x 84 x 1020mm / 3.2 x 3.3 x 40.1" x Box 2
 <b>Gross weight</b>	14.7kg / 32.4lbs

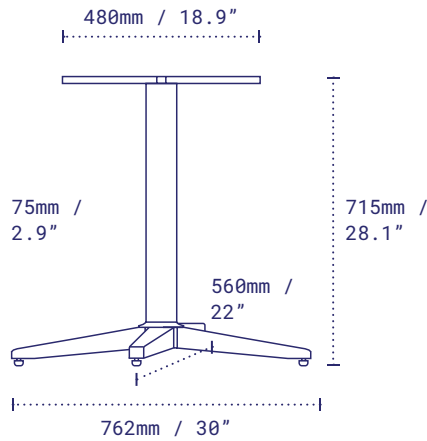
## STANDARD COLOR RANGE

● Sandstone Black



# Trail 22x30





B2230NR-STD : DINING HEIGHT





Trail 22x30 self-stabilising table base ensures a smooth experience for booth seating requiring rectangular tabletops. Trail 22x30 seamlessly complements the entire NOROCK range while perfectly matching our other Trail bases.

Pictured: Trail 22x30 Dining Height, Sandstone Black.

## DETAILS

 <b>Material</b>	Steel – Zinc Plated Legs, Zinc Phosphate Column and Top Plate
 <b>Next-Level Protection</b> also available	Steel – Zinc Plated Legs, Zinc Plated Column, Zinc Phosphate Top Plate
 <b>Height</b> excl. table top	715mm / 28.1"
 <b>Base diameter</b>	560 x 762mm / 22 x 30"
 <b>Column width</b>	75mm / 2.9"
 <b>Top plate</b>	Fixed
 <b>Net weight</b>	9.6kg / 21.2lbs
 <b>Max recommended table top</b>	 700 x 1220mm - 28 x 48"
 <b>Resources</b>	<a href="https://no-rock.com/product/trail">no-rock.com/product/trail</a>

## PACKAGING

 <b>Carton</b>	570 x 640 x 100mm / 22 x 25 x 4" x Box 1
 <b>Gross weight</b>	10.5kg / 23.1lbs

## STANDARD COLOR RANGE

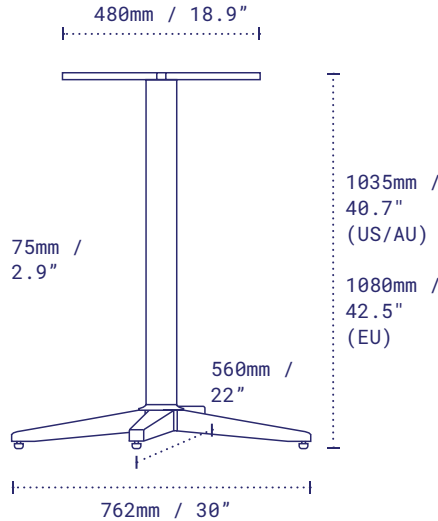
 Sandstone Black



# Trail 22x30 Bar



B2230NR-BAR : BAR HEIGHT



Trail 22x30 self-stabilising table base ensures a smooth experience for booth seating requiring rectangular tabletops. Trail 22x30 seamlessly complements the entire NOROCK range while perfectly matching our other Trail bases.

Pictured: Trail 22x30 Bar Height, Sandstone Black.

## DETAILS

<b>Material</b>	Steel – Zinc Plated Legs, Zinc Phosphate Column and Top Plate
<b>Next-Level Protection</b>	Steel – Zinc Plated Legs, Zinc Plated Column, also available Zinc Phosphate Top Plate
<b>Height</b>	1035mm / 40.7" Bar excl. table top 1080mm / 42.5" Bar (EU only)
<b>Base diameter</b>	560 x 762mm / 22 x 30"
<b>Column width</b>	75mm / 2.9"
<b>Top plate</b>	Fixed
<b>Net weight</b>	10.7kg / 23.5lbs
<b>Max recommended table top</b>	609 x 914mm / 24 x 36"
<b>Resources</b>	<a href="https://no-rock.com/product/trail">no-rock.com/product/trail</a>

## PACKAGING

<b>Carton</b>	470 x 680 x 100mm / 19 x 27 x 4" x Box 1 83 x 84 x 1050mm / 3 x 3 x 41" x Box 2
<b>Gross weight</b>	11.9kg / 26.2lbs

## STANDARD COLOR RANGE

Sandstone Black



NR MARKETING PTY LTD  
NOROCK USA LLC

SEPTEMBER 2023

All product information is correct at the time of printing but may be subject to change without notice. For the latest information please visit our website.